

X86 CPU Core Touch Panel Computer with 10.4" SVGA TFT Display



【Introduction】

MT8000 series is the new HMI generation of Weintek. With the design concept of meeting customers' satisfaction while easy-to-Use attribute as before, a MT8000 not only performs as a Human Machine Interface but also plays as a role of data exchange center. Through the most popular Ethernet connection, data can be shared among MT8000s without limitation and any SCADA/HMI software on the PC can simply access data from MT8000s. MT8000 series is the best choice for your requirement tomorrow.

Hardware Specification

Display	10.4" TFT
Brightness	400 cd/m ²
Color	65536 colors
Contrast Ratio	400:1
Resolution (WxH dots)	800 x 600
Back light	LED
CCFL life time	30,000 hr. min.
Touch panel	4 wires resistive type
Touch Accuracy	Active Area Length(X)±2%, Width(Y)±2%
Surface Hardness	4H
Ethernet port	(10/100 Base-T)
I/O port	COM1 (RS-232/RS-485 2W/4W), COM2(RS232),COM3(RS-232/RS-4852W)
USB Host	2 USB Host port
Audio	1 x Audio Line Out, 1 x MIC In
Processor	AMD Geode™ LX800/500MHz core processor
Storage	256MB D.O.M
DRAM	256MB on board DDR-400MHz SDRAM
SD card slot	Support SDHC/SD,
RTC	Built-in (CR2032 3V lithium battery.)

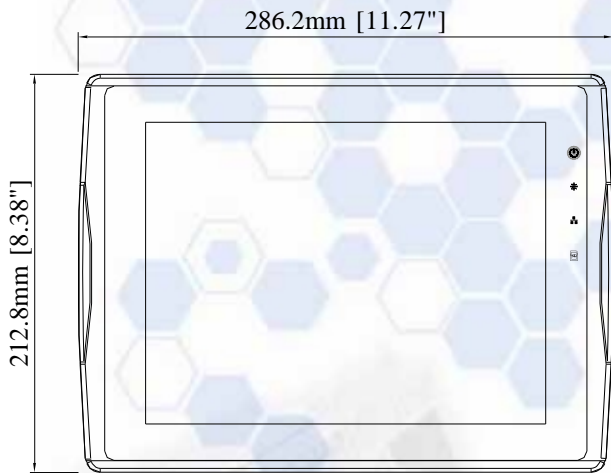
General Specification

Input Power	24±10% VDC (21.6~26.4VDC) (Power Isolator Inside.)
Power Consumption	1.25 A@24VDC
CE/FCC	Complies with EN 55022:2006,Class A, EN 61000-3-2:2006, EN 61000-3-3:1995+A1:2001+A2:2005
Voltage resistance	500VAC (1 min.)
Isolation resistance	Exceed 50M at 500VDC
Vibration endurance	10 to 25 Hz (X,Y,Z direction 2G 30minutes)
Protection structure	IP65 front panel (O ring seal)
Storage temperature	-20° ~ 60°C (-4° ~ 140°F)
Operating Temperature	0°~45°C (32° ~ 113°F)
Operation humidity	10-90% RH (non -condense)
Enclosure	Plastic
Dimensions WxHxD	286x212x50mm
Panel cutout dimension	259 x 201 mm
Weight	Approx. 1.6 kg

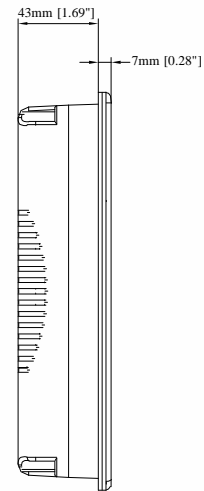
Operating System

Operating System	EB8000 V2.0.0 or Newer
------------------	------------------------

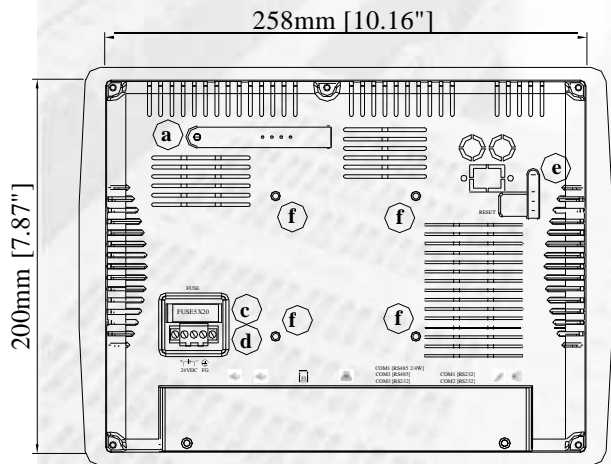
Dimensions of MT8104XH



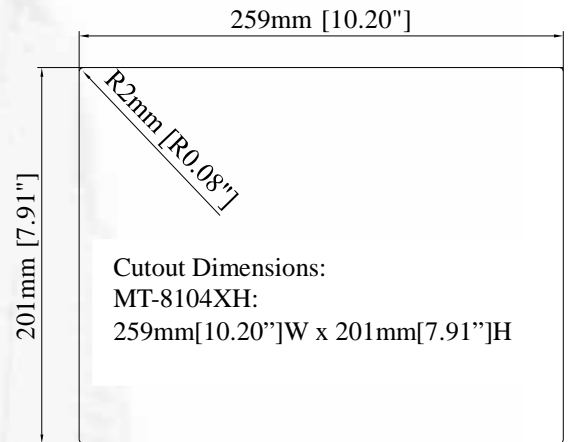
Front View



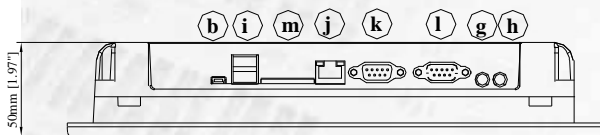
Side View



Rear View



Cutout Dimensions:
 MT-8104XH:
 259mm[10.20\"]W x 201mm[7.91\"]H



Bottom View

a	IDE Interface (DOM Slot)	h	Line Out
b	Mini USB	i	USB Host Port x 2
c	Fuse	j	Ethernet Port 10/100 Base-T
d	Power Connector	k	Com1 RS485, Com3 RS485, Com3 RS232
e	Reset Button	l	Com1 RS232, Com2 RS232
f	VESA 75mm Screw Holes	m	SD CARD SLOT
g	Mic In		

<http://www.aptus-hmi.com/>

Ctra.de Ribes,195 - 08520 LES FRANQUESES DEL VALLES (Barcelona – Spain)

Telf. + 34 93 840 25 24 - Fax + 34 93 8402503 - weintek@aptus-hmi.com