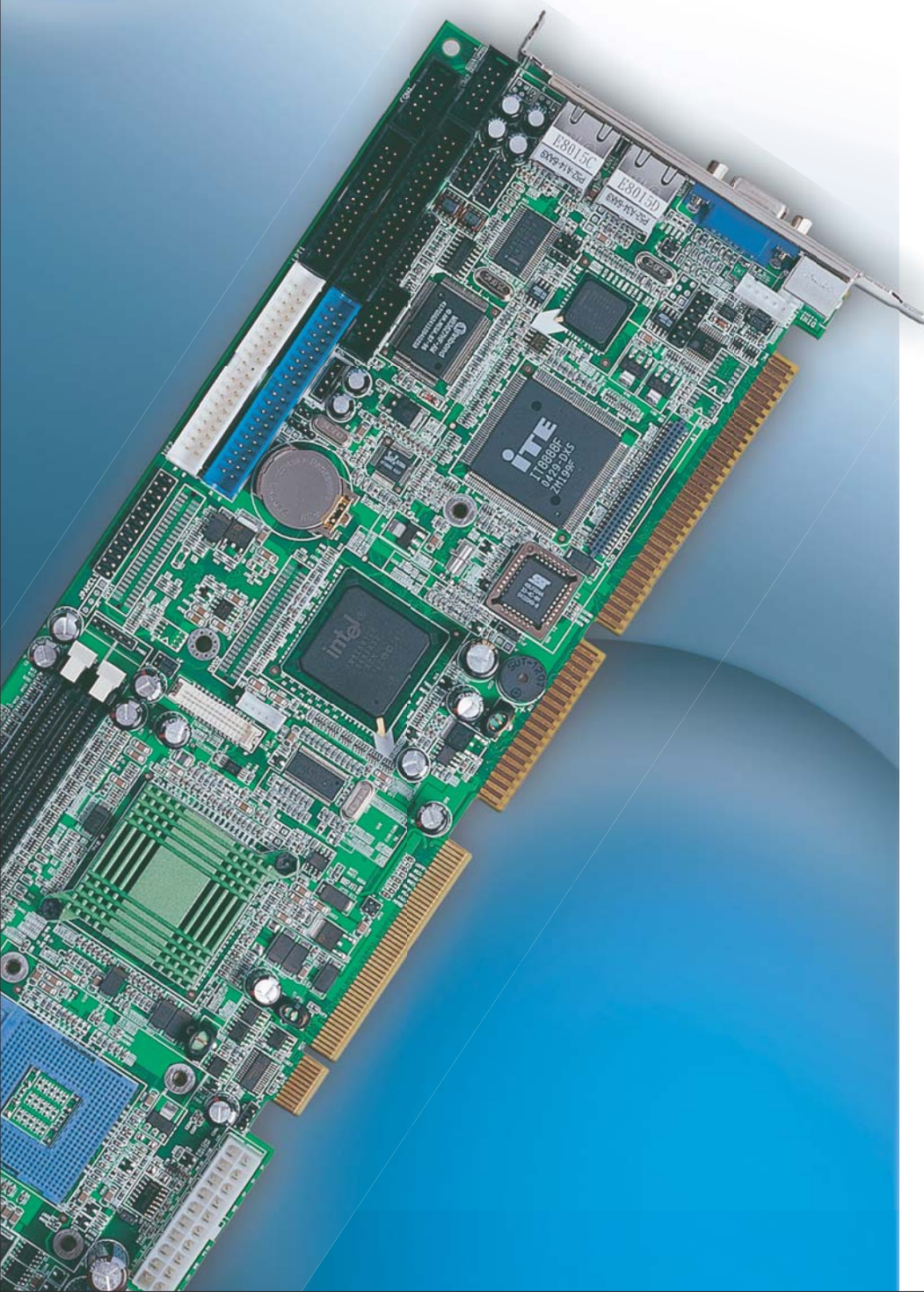


# SBC



## PSB-501

### Pentium® M Full-size CPU Card with VGA/Sound/2LAN

**PSB-501** is the new Pentium® M single board computer, based on the latest Intel® processor, Pentium® M and Intel® 855GME chipset. The Pentium® M series allow systems to be thin, light and with low power design. With innovative power management, it enables computer to run robust application with low power consumption. It is an excellent balance of performance and electrical expenditure. In addition, the new Pentium® M series also provide high speed networking availability, supporting dual LAN ports up to 1Gigabits with Intel® 82541GI chipset.

The PSB-501 supports Intel® Pentium® M processor up to 1.8GHz with 400MHz front side bus, and two 184-pin 266/333MHz DDR SDRAM DIMM sockets capable of supporting 2GB of memory. With onboard Intel® 855GME chipset, the PSB-501 provides multi display functions, including CRT, DVO, and LVDS LCD. Also with an additional socket for the Compact Flash™ bootable IDE-compatible flash memory module, the PSB-501 ensures exceptional expansion capabilities. Other powerful functions of PSB-501 are 2 COM ports, 4 high speed USB2.0 ports, AC '97 Codec, keyboard/mouse connectors, 2 EIDE (UDMA 33/66/100) interfaces, printer port, and etc.



**PROTECH SYSTEMS**

*It's a right choice*

No. 24, Lane 365, Yang Guang St., Nei Hu District, Taipei 114, Taiwan, R.O.C.

Tel: +886-2-8751-1111

Fax: +886-2-8751-1199

Email: [sales@protech.com.tw](mailto:sales@protech.com.tw)

<http://www.protech.com.tw>

**Intel®**  
**Communications.**

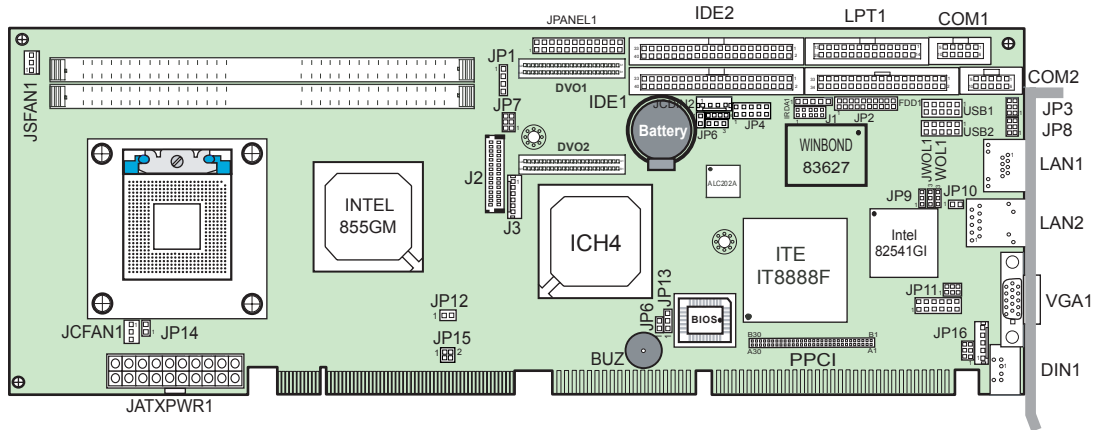
**Alliance**  
Affiliate Member  
BRONZE

**ISO CERTIFIED**

**9001 14001**

# PSB-501

Socket 478 Pentium® M CPU Card with VGA/Sound/2LAN



## Specifications

### System

<b>CPU Type</b>	Intel® Pentium® M processor
<b>CPU Frequency</b>	1.3~2.0 GHz
<b>Chipset</b>	Intel® 855GME + ICH4
<b>DRAM</b>	2x184-pin DDR DIMM, support DDR266 SDRAM up to 2GB
<b>BIOS</b>	Phoenix-Award PnP BIOS, with VGA BIOS
<b>Watchdog</b>	1~255 secs Watchdog timer selectable w/Reset/NMI
<b>Power Supply</b>	Support AT/ATX power
<b>Power Requirement</b>	+5V, +12V, -12V
<b>Power Consumption</b>	+5V: 2.8A / +12V: 1.93A (Pentium® M 1.3GHz)
<b>Dimension</b>	338.5mm x 122mm (13.33" x 4.8")

### I/O Chipset

<b>IDE Interface</b>	2x40-pin IDE (UDMA 33/66/100)
<b>CF</b>	1 x compact flash slot (IDE)
<b>FDD Interface</b>	1
<b>Bus Interface</b>	EPCI BUS
<b>Serial Port</b>	2 x COM ports, COM1 for RS232, COM2 for RS232/422/485(for 16550 compatible type of UART)
<b>Parallel Port</b>	1 x parallel (SPP/EPP/ECP)

<b>IrDA</b>	1 (SIR)
<b>Keyboard</b>	Mini DIN connector or external connector
<b>Mouse</b>	Mini DIN connector (selectable w/ KB) or Y-cable
<b>LAN</b>	LAN 1: Intel® 82562EM (10/100Mbps) LAN 2: Intel® 82541GI (10/100/1000Mbps) Support Wake-on-LAN with ATX power
<b>Audio</b>	AC '97 Codec, Realtek ALC202A with Line-in/ Line-out/MIC
<b>USB</b>	4 x USB 2.0

### Display

<b>Graphic</b>	Built-in Intel® 855GME, share system memory Support CRT, LVDS
----------------	--

**LCD Interface** 18/36-bit LVDS

### Environment

<b>Operation Temp.</b>	0°~60°C(32°~140°F)
<b>Storage Temp.</b>	-40°~85°C(-40°~185°F)
<b>Humidity</b>	Operation humidity 20~90%, storage humidity 20~95%

### Ordering Information

<b>PSB-501</b>	PICMG S478 P-M/ Celeron-M CPU card with VGA/ audio /LANx2 (10/100Mbps & 10/100/1000Mbps)
----------------	---

**Certificate: CE, FCC, CLASS A**

## PERFORMANCE & POWER CONSUMPTION

CPU Type	Business Winstone 2002	3Dmark 2001SE Build 330	CC Winstone 2001	Power Consumption +5V / +12V
Celeron® M 1.3GHz	28.8	2155	81.7	3.71A / 2.27A
Pentium® M 1.4GHz	32.4	2223	87.8	3.49A / 2.37A

All of trademarks and brand names are the property of their owners. Trademark "Protech" is the property of Protech Systems Co., Ltd. All information contained in this document is subject to change without any prior notice. This catalog is copyrighted in Jan. 2005