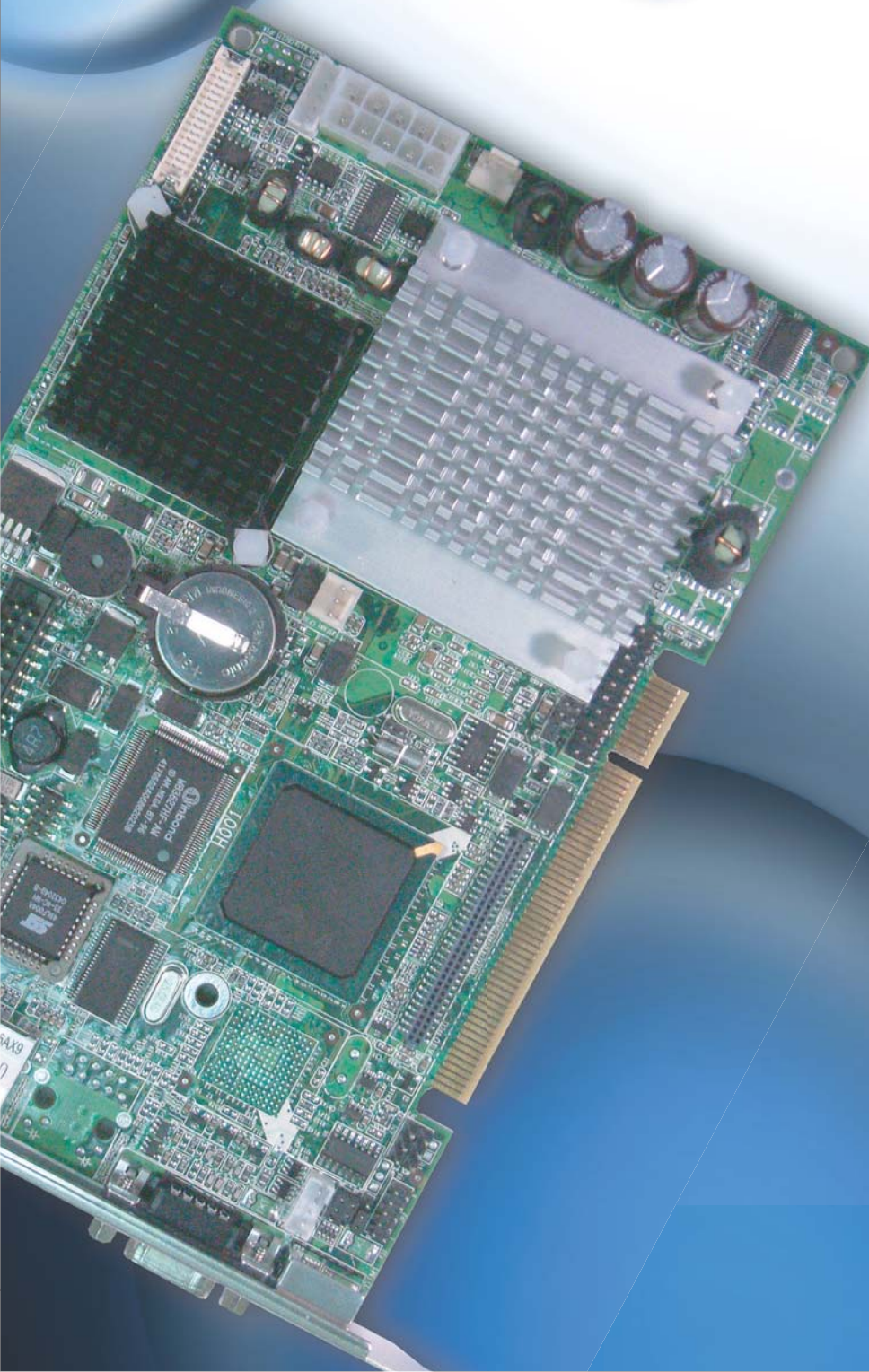


SBC

PCI-471

ULV Celeron® M Half-Size Card w/ VGA/LAN

PCI-471, the PCI-471 is a PCI bus half-size board, supports ULV Intel Celeron® M 600MHz processor without L2 cache, and one 200-pin DDR266 SO-DIMM memory up to 1 GB. Integrated with Intel® 852GM+ICH4 chipset, The PCI-471 also equipped with a Compact Flash™ bootable IDE-compatible flash memory module for expansion capabilities. Onboard with Intel® 82562EM chipset, it provides 10/100 Base-T high bandwidth Ethernet. The PCI-471 supports 2 USB2.0 ports that accelerate the speed of data transaction. Other standard features of PCI-471 include, 1 FDD, 2 COM ports (COM2 is selectable for RS232/422/485), 1 EIDE interface, 1 parallel port, keyboard/mouse connector, 1 IrDA port, and 1 EPCI connector for expansion slot.



No. 24, Lane 365, Yang Guang St., Nei Hu District, Taipei 114, Taiwan, R.O.C.

Tel: +886-2-8751-1111

Fax: +886-2-8751-1199

Email: sales@protech.com.tw

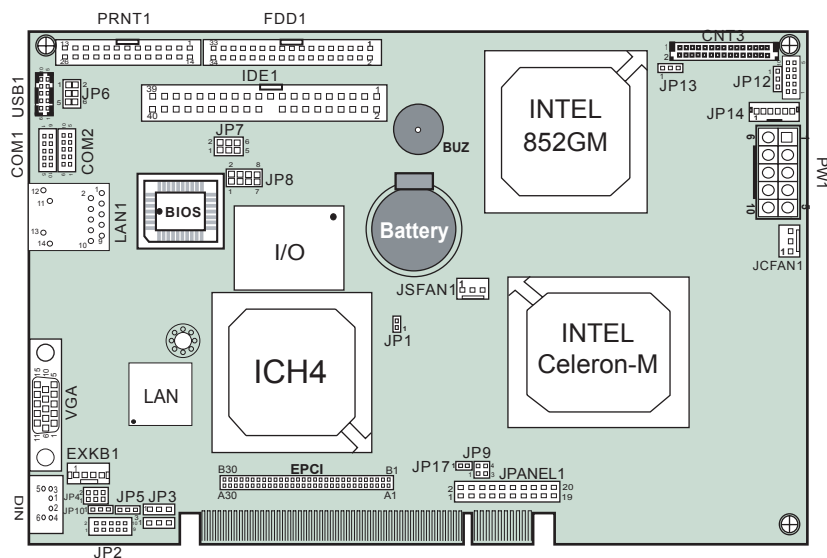
<http://www.protech.com.tw>

ISO CERTIFIED

9001 14001

PCI-471

□ ULV Celeron® M Half-size Card with VGA/LAN



Specifications

System	
CPU Type	Intel® Celeron® M processor
CPU Frequency	ULV 600MHz (non L2 cache)
Chipset	Intel® 852GM + ICH4
DRAM	1x200-pin DDR SO-DIMM, support DDR266 SDRAM up to 1GB
BIOS	Phoenix-Award PnP BIOS, with VGA BIOS
Watchdog	1~255 secs Watchdog timer selectable
Power Supply	w/Reset/NMI
Power Requirement	Support AT/ATX power
Power Consumption	+5V, +12V +5V: 2.35A / +12V: 0.43A
Dimension	185mm x 122mm (7.28" x 4.8")
I/O Chipset	
IDE Interface	1 x 40-pin IDE (UDMA 33/66/100)
CF	1 x compact flash slot (IDE)
FDD Interface	1
Bus Interface	EPCI BUS
Serial Port	2 x COM ports, COM1 for RS232, COM2 for RS232/422/485 (for 16550 compatible type of UART)
Parallel Port	1 x parallel (SPP/EPP/ECP)

IrDA	1 (SIR)
Keyboard	Mini DIN connector or external connector
Mouse	Mini DIN connector (selectable w/ KB) or Y-cable
LAN	Intel 82562EM (10/100Mbps) Support Wake-on-LAN with ATX power
USB	2 x USB 2.0

Display

Graphic	Built-in Intel 855GME, share system memory, support CRT, LVDS
LCD Interface	18/36-bit LVDS

Environment

OperationTemp.	0°~60°C(32°~140°F)
Storage Temp.	-40°~85°C(-40°~185°F)
Humidity	Operation humidity 20~90%, storage humidity 20~95%

Ordering Information

PCI-471	PCI CPU card with VGA /LAN (CPU: Celeron ULV 600MHz)
Certificate:	CE, FCC, CLASS A

PERFORMANCE & POWER CONSUMPTION

CPU Type	Business Winstone 2001	3D Mark 2001 build 330	3D Mark 2003	Power Consumption +5V
Celeron® M 600MHz	35	1155	59	4A

All of trademarks and brand names are the property of their owners. Trademark "Protech" is the property of Protech Systems Co., Ltd. All information contained in this document is subject to change without any prior notice. This catalog is copyrighted in Jan. 2005