

## EPR4 “A” Series



### Features

- Auto-Zero functionality
- Push-rod technology, non-liquid filled system
- Accuracy better than +/- 0.5%
- DyMax™ coated convoluted SST wetted parts
- 4 - 20 mA output
- No span or zero pots

### Benefits

- No calibration required
- Ideal for medical and food extrusion
- Repeatable, reliable pressure measurements
- Superior abrasion resistance
- Direct input to supervisory control systems
- Ready to use out of the box, just Auto-Zero

### Description

The EPR4 “A” Series transmitter is a +/- 0.5% sensor ideal for food or medical applications requiring simple installation, repeatability and reliability. The push-rod technology provides a design suitable for applications where a filled system may not be desirable. The EPR4 “A” Series transmitters provide the industry standard 4 - 20 mA amplified signal designed to work with DCS and PLCs. The EPR4 “A” Series comes equipped with the NEW Auto-Zero functionality. Auto-Zero provides the user the ability to install the transmitter right out of the box with just using the zero push button after installation. Optional thermocouple or RTD configurations are available to provide melt temperature. The EPR4 “A” Series can feature either the standard push rod configuration (see mechanical drawing) or a 1/2-20 UNF thread for simple and easy installation in standard transducer mounting holes (M561).

### Specifications

#### PERFORMANCE CHARACTERISTICS

**Output:** 4 - 20 mA

**Input Voltage:** 14 - 36 Vdc

**Accuracy:** +/- 0.5% FSO,

**Repeatability:** +/- 0.2% FSO

**Configuration:** Four-arm bonded foil Wheatstone bridge strain gage

**Load Resistance:** 0 - 1,100 Ohms

**Over Pressure:** 1.5 X FSO

Zero Balance Adjustment Range: +/- 0.5%, min. -2% to 5% fs

**Internal Shunt Calibration (R-Cal):** 80% FSO +/- 0.5%

**Insulation Resistance:** 1000 megohms @ 50 Vdc

#### TEMPERATURE & MECHANICAL CHARACTERISTICS

**Max Diaphragm Temperature:** 750°F (400°C)

**Zero Shift (due to temperature change):**

+/- 1.0% FS/100°F Typical (+/- 2.0% FS/100°C)

**Electronics Operating Temperature:**

-20°F to 185°F (-25°C to 85°C)

**Zero Shift Due to Temperature Change:**

+/- 3.0% FS/100°F max (+/- 6.0% FS/100°C max)

**Mounting Torque:** 250 inch/lbs. maximum

**Standard Wetted Parts:** DyMax™ coated 17-4 PH SST

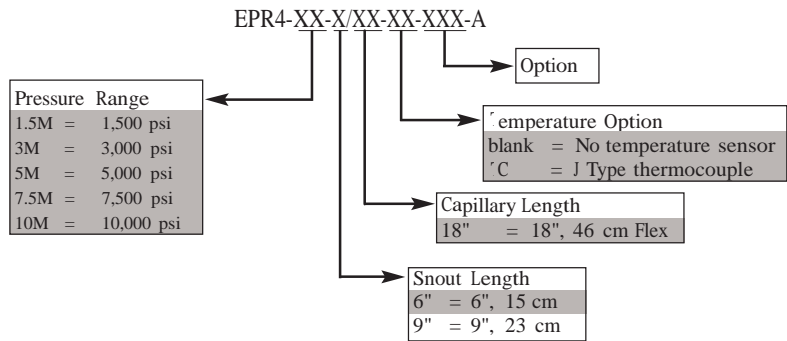
<http://www.aptus-hmi.com/>

Ctra.de Ribes,195 - 08520 LES FRANQUESES DEL VALLES (Barcelona – Spain)

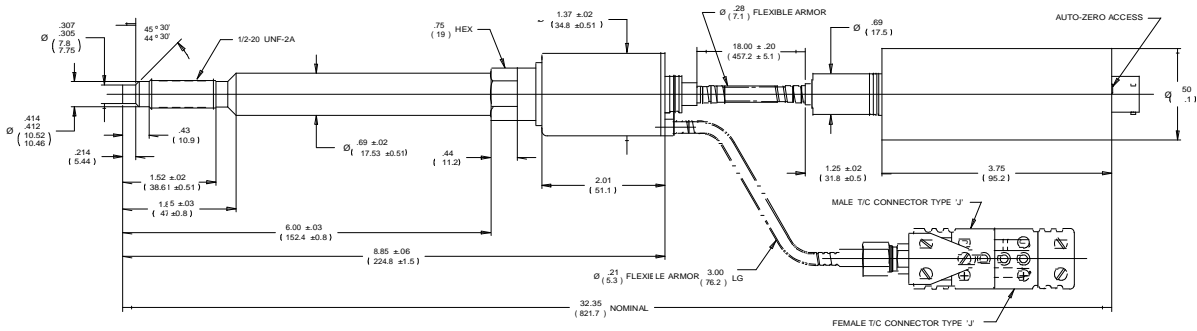
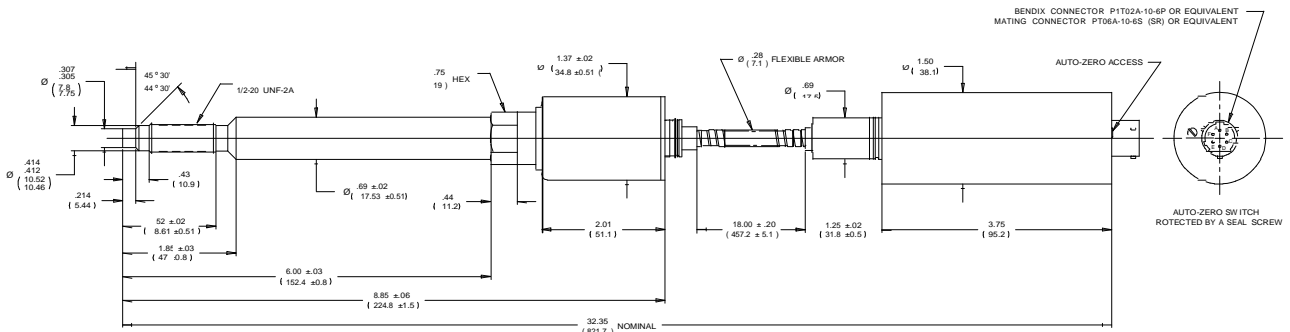
Telf. + 34 93 840 25 24 - Fax + 34 93 8402503 - [dynisco@aptus-hmi.com](mailto:dynisco@aptus-hmi.com)



### Ordering Guide



Shaded sections refer to standard configurations. Accuracy may be affected if non-standard configurations are used. For additional options please consult factory. Standard mating connector Dynisco P/N 711600 or 6-pin mating cable assembly.



CONNECTOR WIRING	
PIN	FUNCTION
A	SIGNAL +
B	SIGNAL -
C	NO CONNECTION
D	AUTO-ZERO
E	INTERNAL CAL RESISTOR
F	GROUND

NOTES  
1. DIMENSIONS ARE IN INCHES (MILLIMETERS)