

# 1392 Temperature Indicator

1/8 DIN panel display with retransmission capability



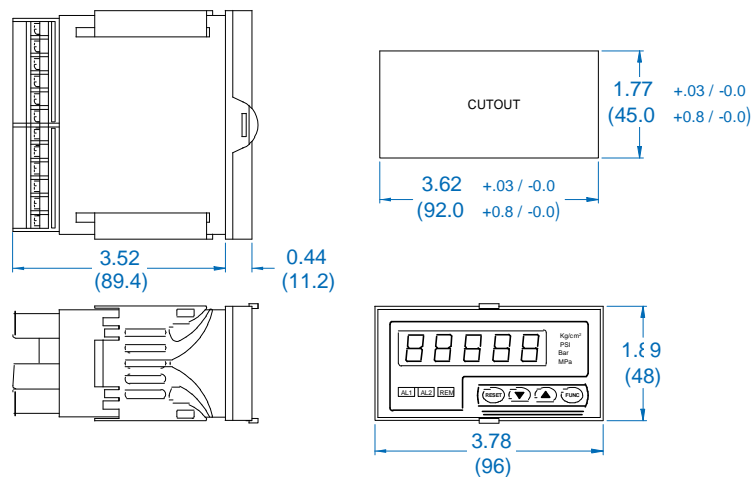
### Features

- Selectable TC, RTD, voltage, or mA inputs from the front panel
- Easy to read 5-digit display with °F, °C, Peak high & low indicators
- Simple field configuration; lockout security
- Two programmable alarms
- High speed sampling and alarm update
- Available:
  - Retransmission of process variable
  - ModBus/JBus communications
  - Remote PC configuration

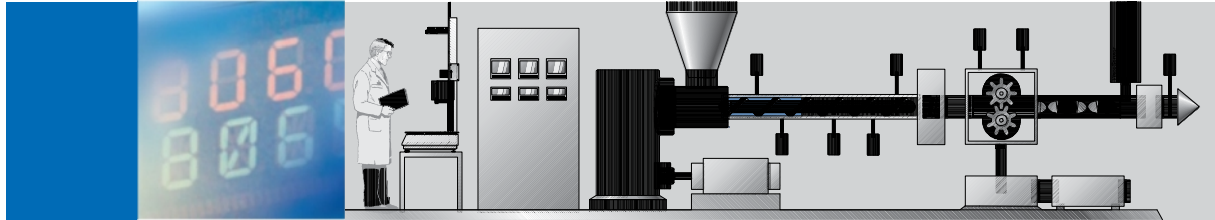


### Description

The Model 1392 is a compact 1/8 DIN temperature indicator that can accommodate thermocouple, RTD, mA, and voltage inputs and includes two alarm outputs. The 1392 is field programmable without opening the unit, and can be secured with a keypad lockout. A serial port is also available for PC configuration. The bright red 5-digit temperature display also indicates other parameters such as dual alarm status, high / low peak detection, and remote status.



All dimensions are in inches (millimeters).



## Specifications

### Performance Characteristics

**Instrument type:** Digital panel meter  
**Display:** 5 red LED digits 0.5" (12.7mm) high  
 2 red LED lights for alarm  
 1 green LED light for remote configuration  
**accuracy:**  $\pm 0.1\%$   
**Normal mode rejection ratio:** 60dB at 50/60Hz  
**Sampling Time:** 100ms

### INPuT

**Thermocouple:** Types J, K, E, L, N, R, S, T  
**rTD:** Type PT100 (DIN 43760)  
**Linear Input:** 0(4)-20mA and 0(1)-5Vdc and 0(2)-10Vdc  
**Scaling:** °F or °C programmable

### alarm outPuTS (2)

**alarm Type:** Two SPST Form C  
**Contact rating:** 0.6A @110Vdc, resistive load  
 0.5A @220Vdc, resistive load  
 0.3A @110Vdc, inductive load  
**alarm update Time:** 100ms

### analog reTrANSMISSIon outPuTS

**Type:** 0(4)-20mA, 0(1)-5V or 0(2)-10V.  
 500 , max load  
**resolution:**  $\pm 0.05\%$  of output span maximum  
**accuracy:**  $\pm 0.2\%$  of span  
**update Time:** 100ms

### Serial CommuNICATION InterFace

**Type:** Isolated RS-485  
**Protocol:** ModBus/JBus selectable (half duplex)  
**Baud rate:** 150 – 19200 baud  
**Format:** 8 bits + parity; 8 bits without parity  
**Parity:** Odd / Even

### meCHANICAL & PaCKAGING CHArACTERISTICS

**Termination:** Screw terminals on rear with safety covers  
**Front Panel:** IP65/NEMA4-rated with gasket  
**operating Temperatures:** 32° – 130°F (0° – 55°C)  
**Humidity:** 5 – 85% relative humidity, non-condensing  
**Vibration:** 10 – 150Hz at a peak of 1G

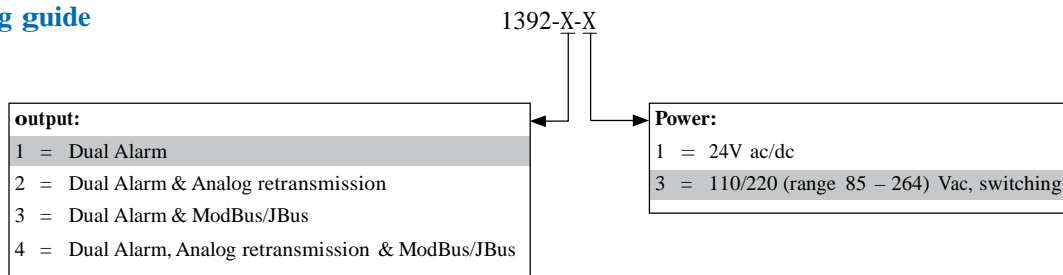
### aPProVALS & CeRTIFICATIOnS

**Ce mark:** EMC standard EN 61326-1 2002  
 Safety standard EN 61010-1 2001  
**agency approvals:**  
**uL:** According to UL 3121-1  
**cuL:** According to C22.2 No. 142  
**C-Tick:** Australia

### Power SuPPLY (maINS)

**Input Power:** 85-264 Vac (24V ac/dc available)  
**Power Consumption:** 10W, max  
**Input Protection:** Internal thermistor  
**Isolation:** Reinforced isolation from instrument and all other I/O circuits

## ordering guide



Shaded sections refer to standard configurations that are offered.

©2008. Dynisco reserves the right to make changes without notice. Refer to [www.dynisco.com](http://www.dynisco.com) for access to Operator Manual and other support documentation.



<http://www.aptus-hmi.com/>

Ctra.de Ribes,195 - 08520 LES FRANQUESES DEL VALLES (Barcelona – Spain)

Telf. + 34 93 840 25 24 - Fax + 34 93 8402503 - [dynisco@aptus-hmi.com](mailto:dynisco@aptus-hmi.com)